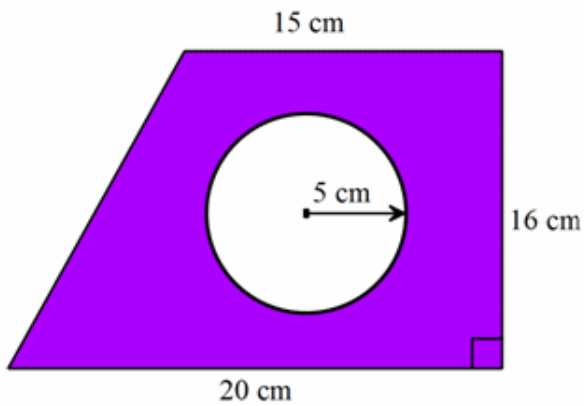


Extended Worksheet Review 20/2/2018  
Tiffany Dickie

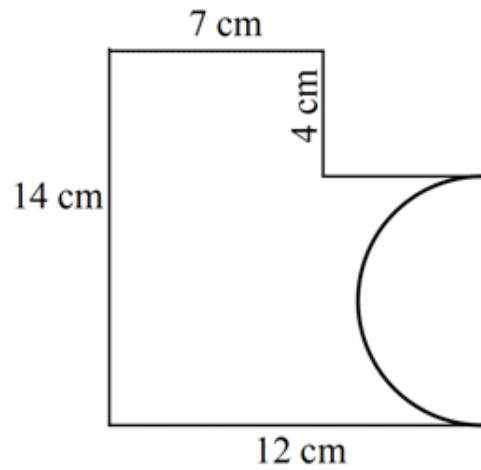
Question 1

Calculate the shaded (purple) area of the following composite shape. Give your answer correct to one decimal place.



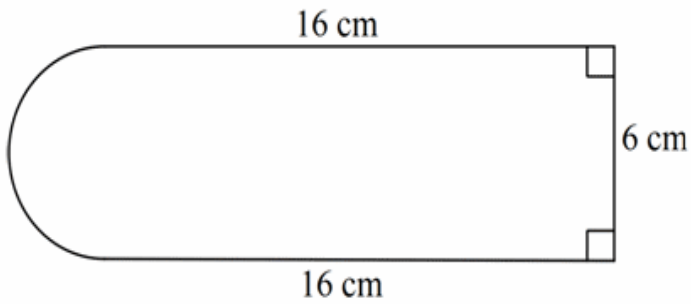
Question 2

Calculate the area of the following composite shape, correct to one decimal place, given that the curved section is a semi-circle:



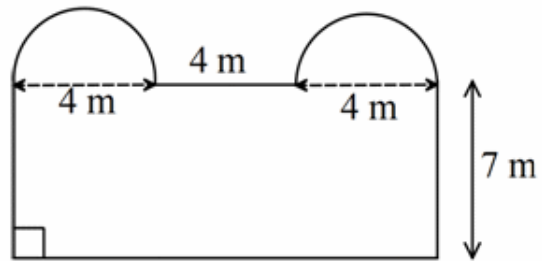
### Question 3

Calculate the perimeter of the composite shape where the curved section is a semi-circle. Give your answer correct to two decimal places.



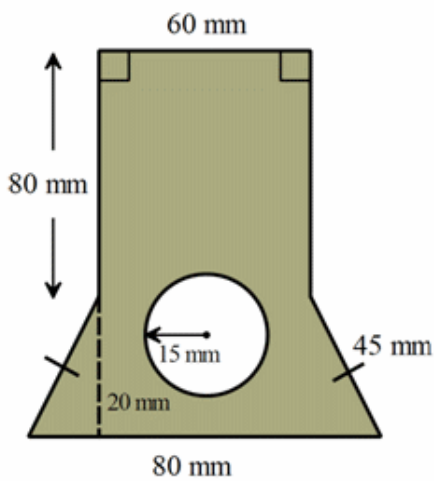
### Question 4

Calculate the amount of wallpaper needed to cover the wall shown in the plan below, given that the curved sections are semi-circles. Give your answer correct to two decimal places.



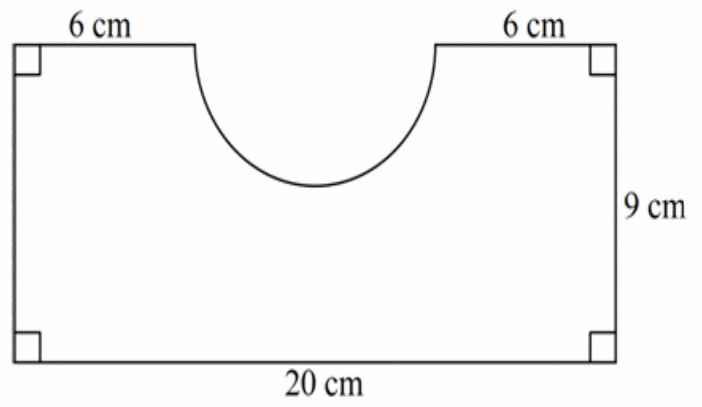
### Question 5

A metallic part of a child's toy needs to be covered with a rust-proofing compound to prevent corrosion. Find the area (the shaded region) to be rust-proofed, correct to one decimal place.



### Question 6

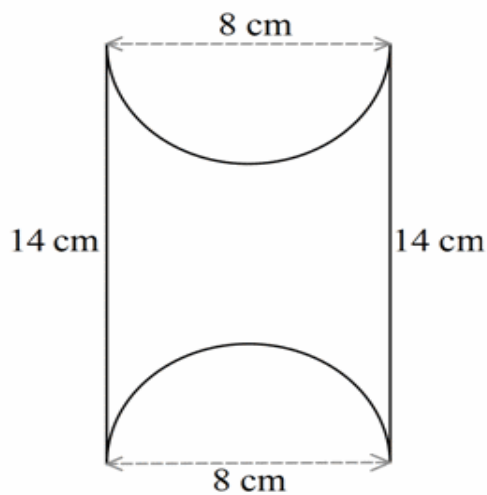
Calculate the perimeter of the following composite shape where the curved section is a semi-circle. Give your answer correct to two decimal places.



### Question 7

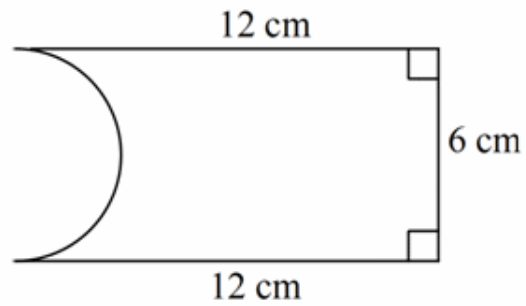
A new label is being designed to wrap around the bottles of a new brand of shampoo. The shape is shown in the diagram below.

Calculate the amount of wrapping, correct to two decimal places, required to make the label.



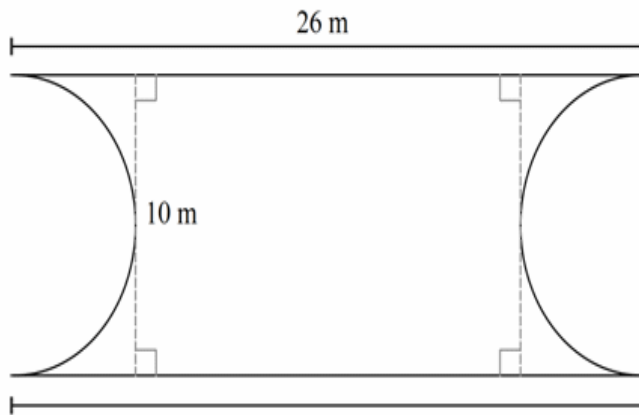
### Question 8

Calculate the perimeter of the following composite shape where the curved section is a semi-circle. Give your answer correct to two decimal places.



### Question 9

Calculate the area of the following composite shape where the curved sections are semi-circles. Give your answer correct to two decimal places.



### Question 10

Calculate the area of the following composite shape where the curved sections are semi-circles. Give your answer correct to two decimal places.

